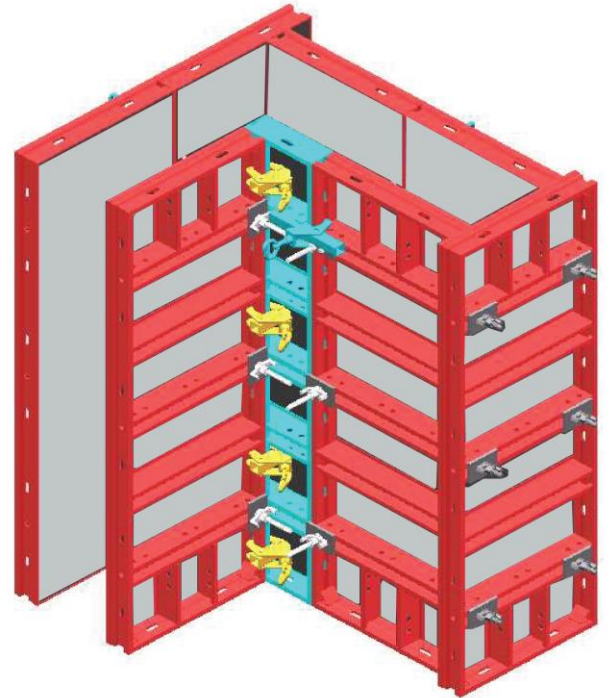




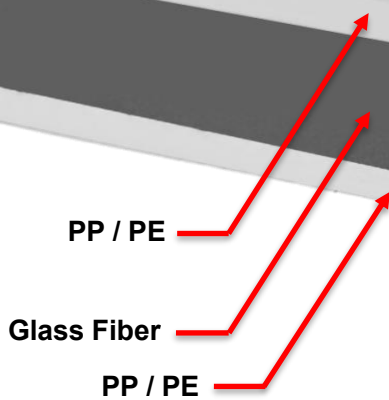
THE FORMWORKS AUTHORITY

UNLOCK
EFFICIENCY

FASI WALL



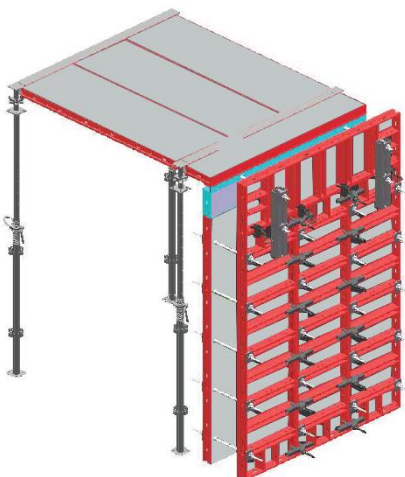
4th Generation (3 Layers)



With shuttering using
the 4th Generation
Wonderboard

FASI SLAB

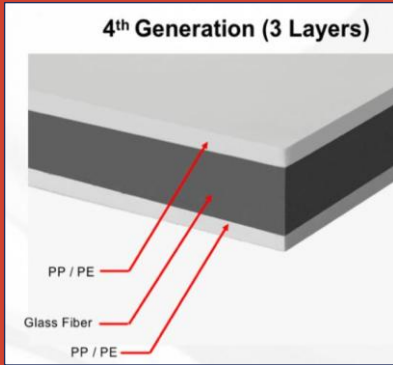
SAVE PARTS.
REDUCE INVENTORY



WWW.FASIFORMSYSTEM.COM

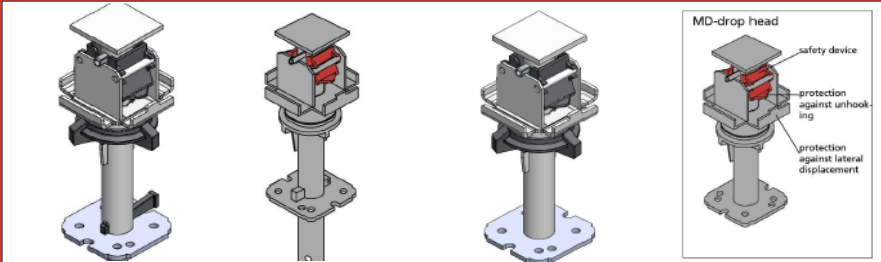
Easy To Assemble Parts

FASI SLAB



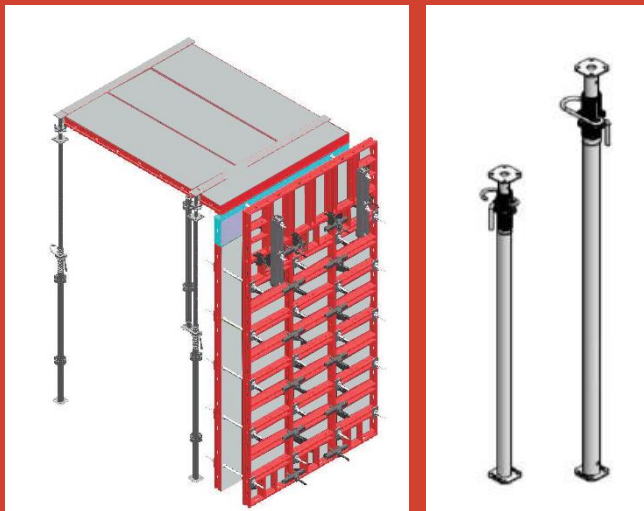
Panel

Specification	1600x800	1600x600	1600x400	800x800	800x600	800x400
Weight	25.08 kg	20.23kg	15.34 kg	13.53 kg	10.84 kg	8.14 kg
Material	6061-T6/pp					
Finish	Powder Coated					



Drop Head

Height Closed	400 mm
Weight	8.39 kg
Finish	Hot dip galvanize



Steel Post

Specification	20-300	20-400
Height Closed	1870 mm	2241 mm
Height Extended	3100 mm	4000 mm
Weight	16.07kg	23.08 kg
Finish	Hot dip galvanize	

Adjustable height to fit your needs
 Durable steel construction for long-lasting use
 Easy to install and remove
 Streamlines the formwork process



Braced Frame

Specification	600x2200	600x1700
X	2200 mm	1700 mm
Weight	24.89 kg	20.92 kg
Finish	Hot dip galvanize	

OFFER(S) A FLEXIBLE AND EFFICIENT
 SLAB FORMWORK SOLUTION

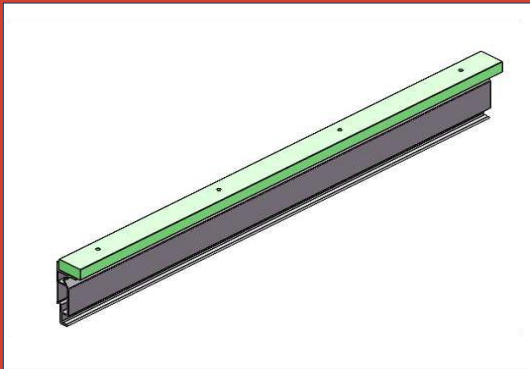
Easy To Assemble Parts

FASI SLAB



Primary Beam

Specifiation	2700	2100	1600	800
L	2700 mm	2100 mm	1600 mm	800 mm
Weight	23.13 kg	19.1 kg	14.62 kg	7.39 kg
Finish	Powder Coated			



Compensation Beam

Specifiation	1600	800	600	400
L	1585 mm	785 mm	585 mm	385 mm
Weight	5.0 kg	3.0 kg	1.65 kg	1.0 kg
Finish	Original			



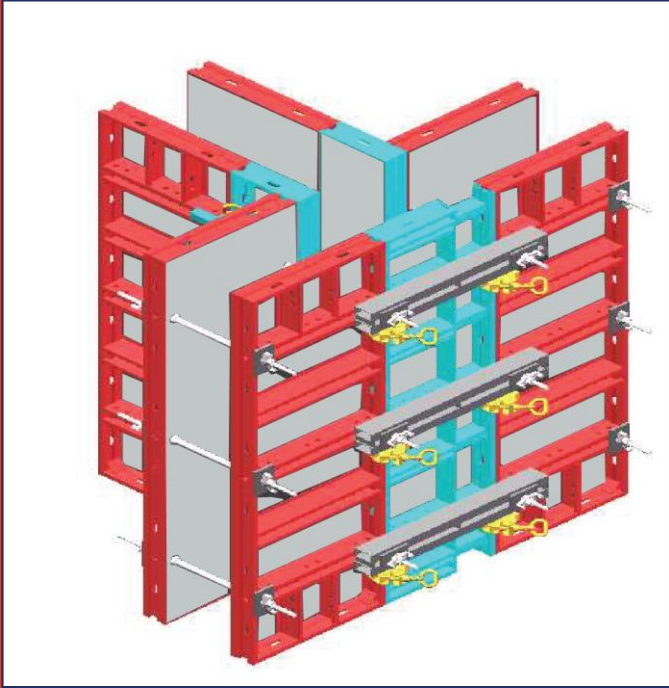
Secondary Beam

Specifiation	1600	800
L	1591 mm	791 mm
Weight	11.13 kg	5.67kg
Finish	Original	

SAVE TIME, CUT ON LABOR COST.

Easy To Assemble Parts

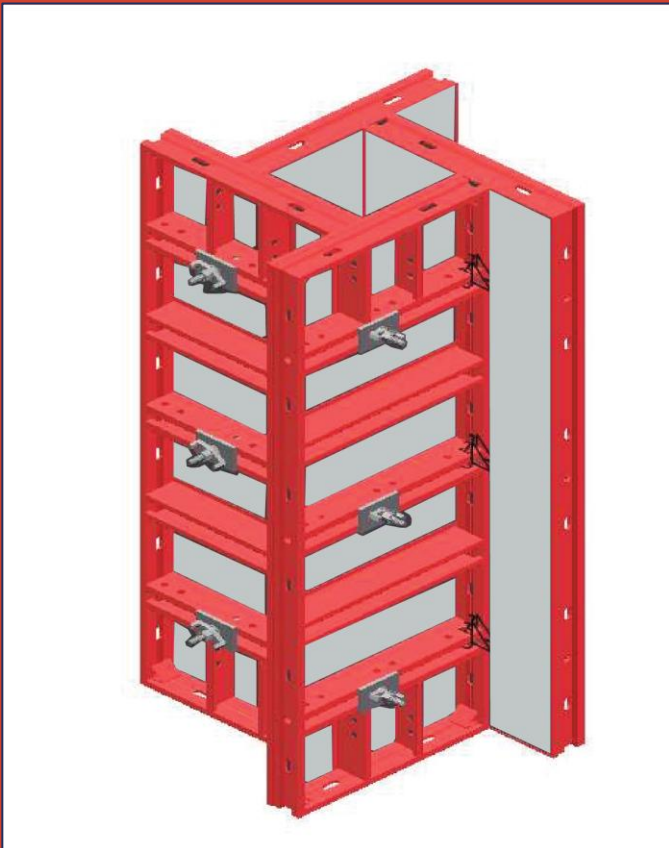
FASI WALL



multiple direction
wall

SAVE

CONSTRUCTION TIME,



QUALITY TO LAST

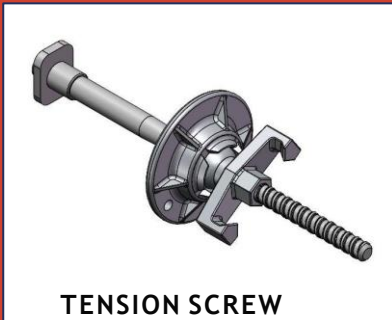
Column

Easy To Assemble Parts



EA assembly lock

Specifiation	46 mm
Weight	1.37 kg
Finish	Hot dip galvanize



Tension Screw

Specifiation	380 mm
Weight	2.43 kg
Finish	Hot dip galvanize



Walkway Bracket

Specifiation	1000 mm
Weight	10.3 kg
Finish	Hot dip galvanize

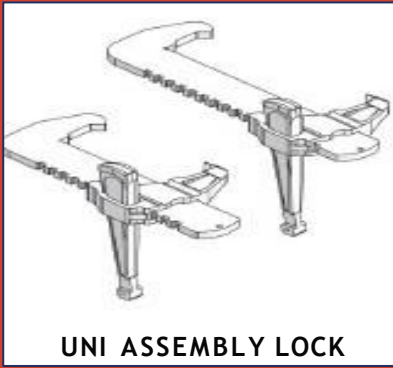


Flange Screw

Specifiation	15x125 mm	15x173 mm
Weight	0.97 kg	1.05 kg
Finish	Hot dip galvanize	

SAFETY FIRST!

Easy To Assemble Parts



Uni- assembly lock

Specifiation	0-220 mm	0-280 mm
Weight	3.60 kg	3.90 kg
Finish	Hot dip galvanize	



Stop end bracket

Specifiation	580 mm	1020 mm
Weight	13.4 kg	19.5 kg
Finish	Hot dip galvanize	

SAFETY FIRST!

